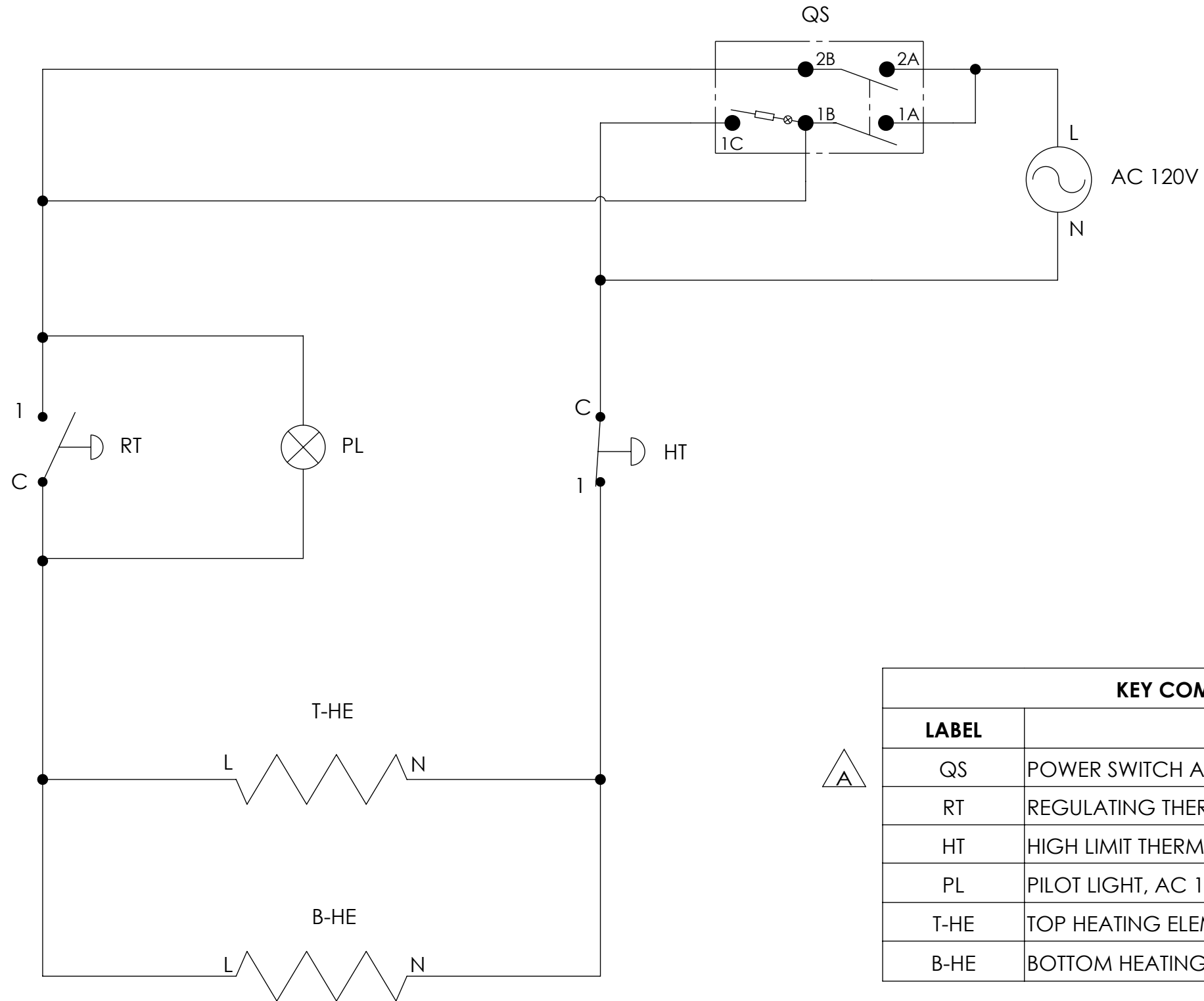


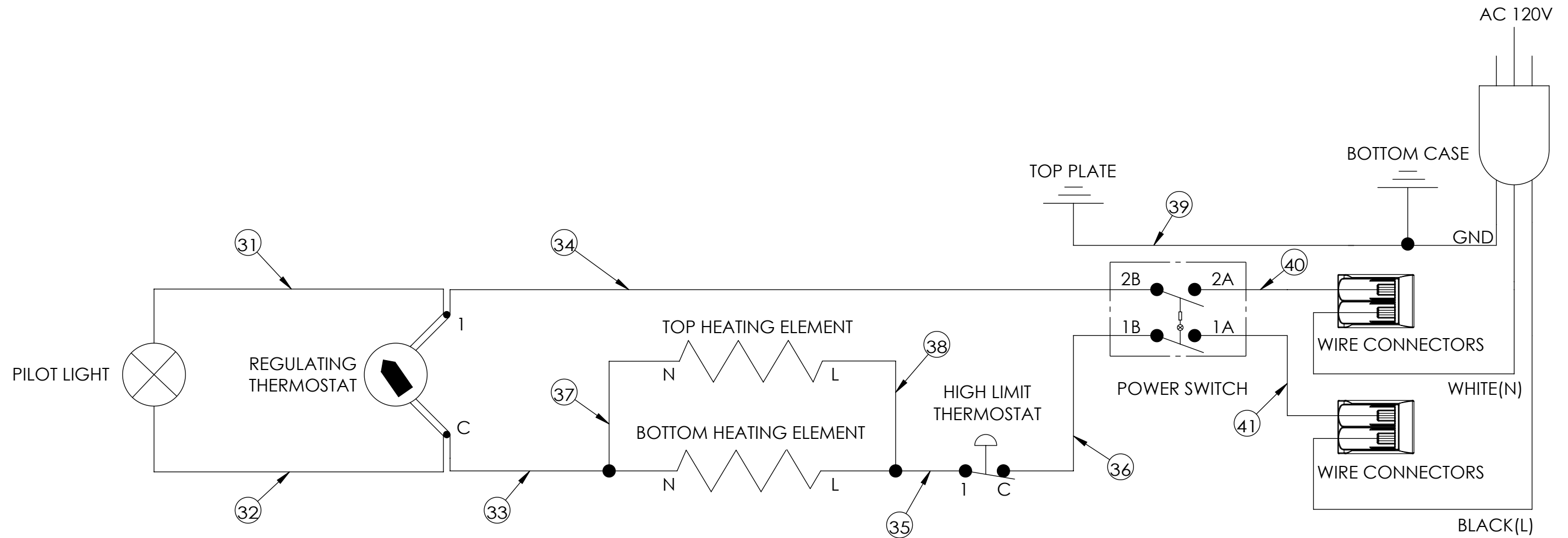
NOTE: FOR POWER SWITCH, AS SHOWN IN THE TABLE BELOW.

ITEM	SERIAL NUMBER (YDDD)	DIAGRAM PAGES
ALL	CURRENT PRODUCTION	1-2
PSG4-SG120	UP TO N289	3-4
PSG4-SG120-C	UP TO N228	
PSG4-SF120	UP TO N337	
PSG4-SF120-C	UP TO N289	



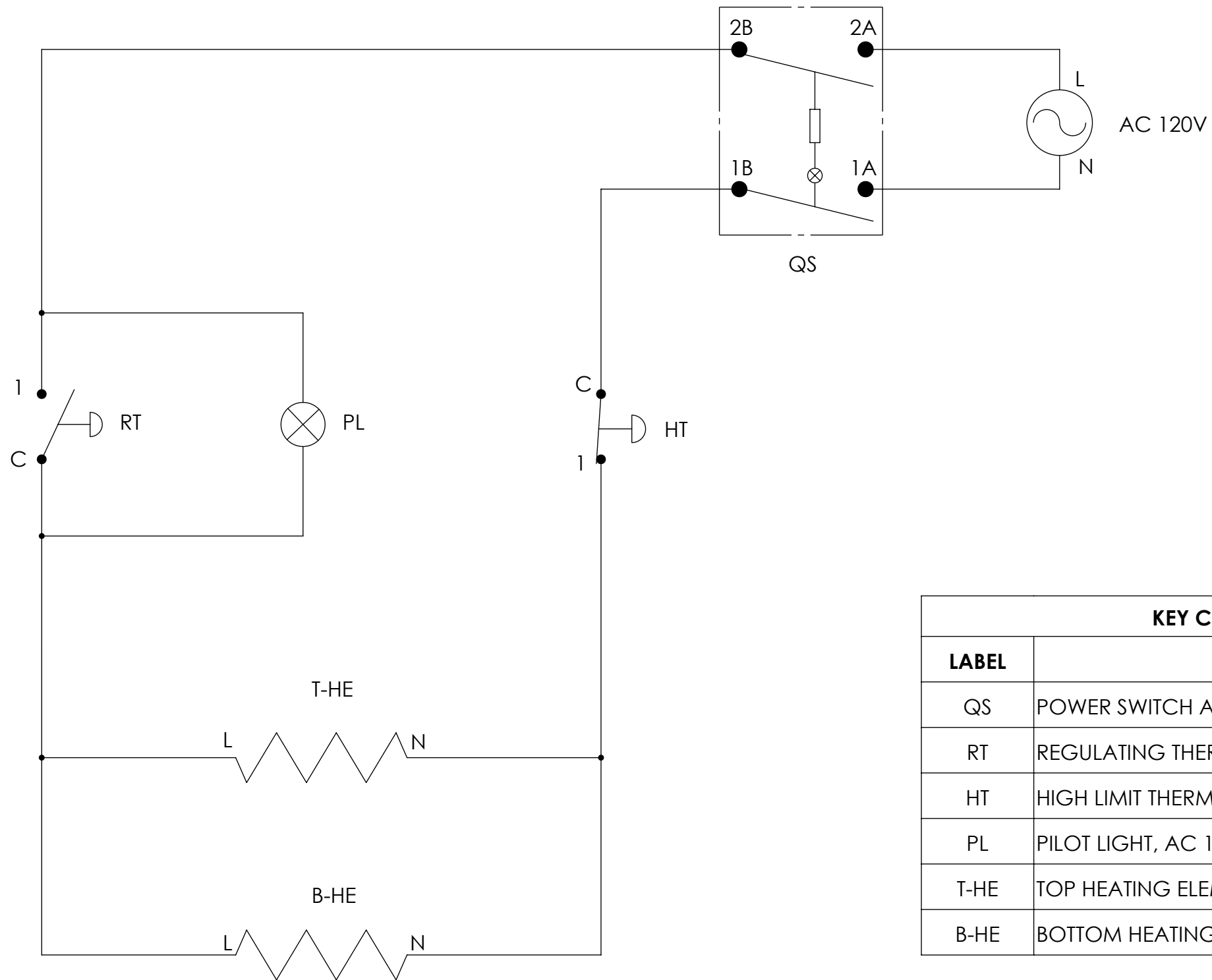
KEY COMPONENTS	
LABEL	DESCRIPTION
QS	POWER SWITCH AC 120V, 20A, DPST-P
RT	REGULATING THERMOSTAT
HT	HIGH LIMIT THERMOSTAT
PL	PILOT LIGHT, AC 120V, GREEN
T-HE	TOP HEATING ELEMENT, AC 120V, 850W
B-HE	BOTTOM HEATING ELEMENT, AC 120V, 950W





NOTE: FOR POWER SWITCH, AS SHOWN IN THE TABLE BELOW.

ITEM	SERIAL NUMBER (YDDD)	DIAGRAM PAGES
ALL	CURRENT PRODUCTION	1-2
PSG4-SG120	UP TO N289	3-4
PSG4-SG120-C	UP TO N228	
PSG4-SF120	UP TO N337	
PSG4-SF120-C	UP TO N289	



KEY COMPONENTS	
LABEL	DESCRIPTION
QS	POWER SWITCH AC 120V, 20A
RT	REGULATING THERMOSTAT
HT	HIGH LIMIT THERMOSTAT
PL	PILOT LIGHT, AC 120V, GREEN
T-HE	TOP HEATING ELEMENT, AC 120V, 850W
B-HE	BOTTOM HEATING ELEMENT, AC 120V, 950W